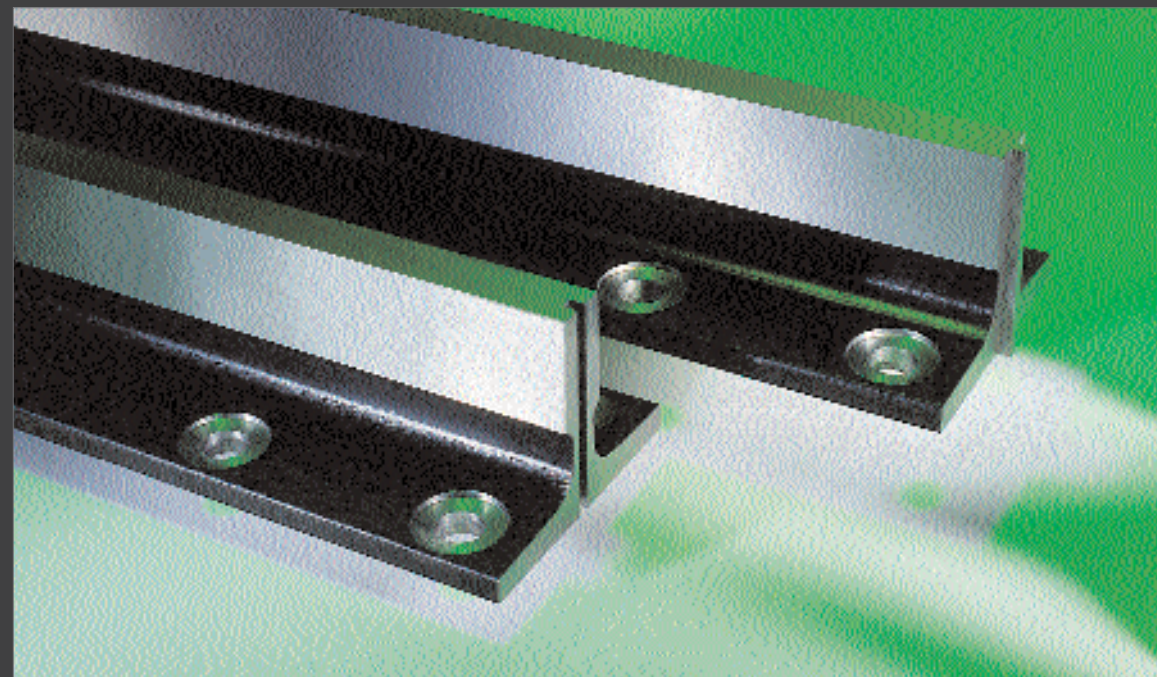
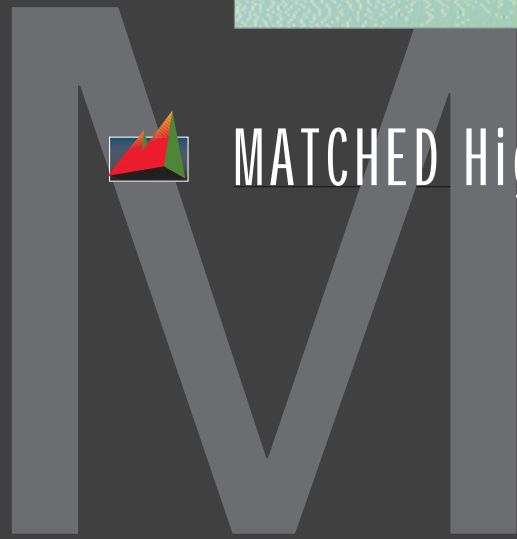




World Guide Rail Alliance



specifications



MATCHED High Speed Machined Guide Rails

USA/Canada

Monteferro America
Phone 1-866-222-0247
Fax (204) 224-4275
E-mail: sales@monteferroamerica.com

Italy

Monteferro S.p.A.
Phone: ++39-0332-970970
Fax: ++39-0332-971016
E-mail: customer.service@monteferro.it

Brazil

Monteferro América Latina L.T.D.A.
Phone: ++55-11-38744760
Fax: ++55-11-38744764
E-mail: mfalvend@aol.com

Czech Republic

Monteferro Hradek A.S.
Phone: ++420-181-725467
Fax: ++420-181-725477
E-mail: customer.service@monteferro.cz

China

Hebei Monteferro Guide Rails Co., L.T.D.
Phone: ++86-317-2029504
Fax: ++86-317-2026327
E-mail: montefer@public.czptt.he.cn

Hong Kong

Monteferro Pacific Trading Ltd.
Phone: ++852-25214225
Fax: ++852-25261393
E-mail: mfpt@hkstar.com

Printed in Canada

ISO 9002 certified since 1995

Monteferro America

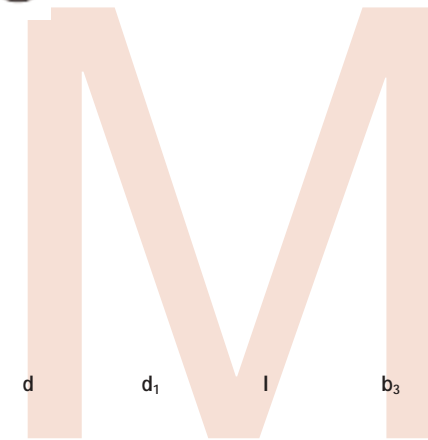
MATCHED High Speed Machined Guide Rails



Monteferro offers our **Matched** superior quality guide rail for high speed and high comfort ride applications.

Our enhanced manufacturing process allows Monteferro to provide exceptionally tight joint tolerances, however guaranteeing a perfect field assembly. To achieve this, Monteferro performs a complete joint assembly in our factory. Each joint is tested and numbered to ensure a perfect field fit.

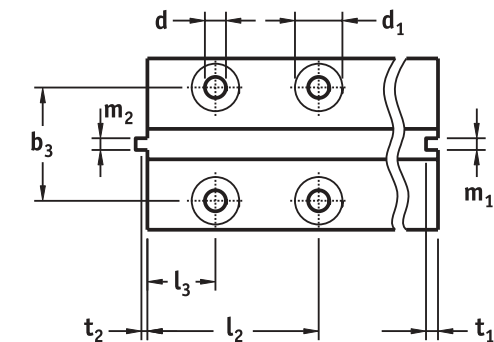
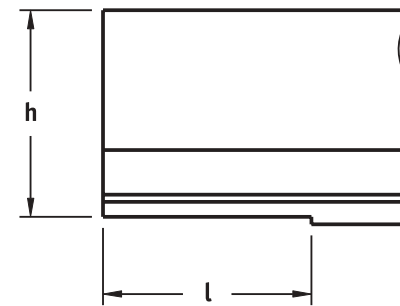
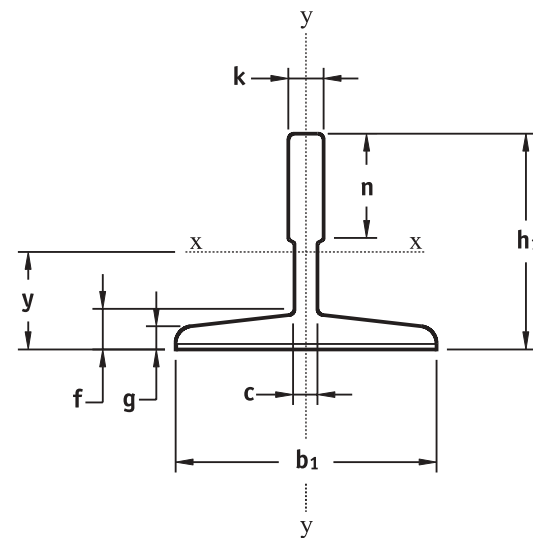
Superior quality, with reduced field labor.



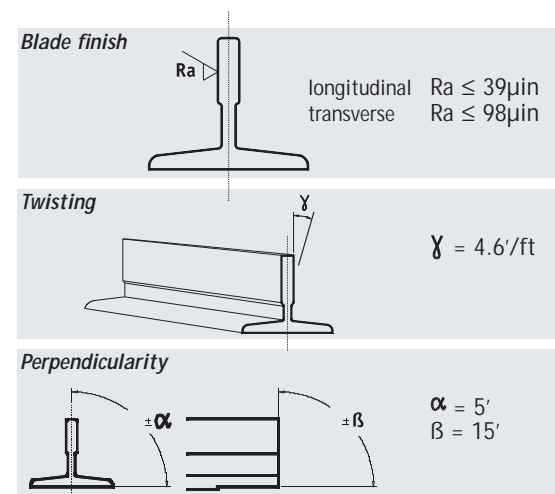
Dimensions

All dimensions in inches unless noted.

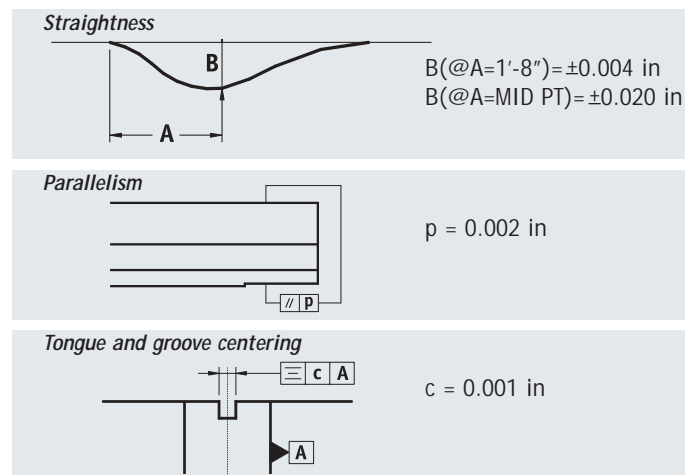
Monteferro Code	ISO Code	q ₁ lb/ft	b ₁	h ₁	h	k	n	c	g	f	m ₁	m ₂	t ₁	t ₂	d	d ₁	l	b ₃	l ₂	l ₃
Tolerances				±0.06	±0.03	±0.0012	+0.002, -0				+0.0008, -0	+0, -0.0008	±0.004	±0.004				±0.0008	±0.0008	±0.0008
T127-2/B	T127-2/B	15.11	5.0	3.50	3.465	0.625	2	0.375	0.500	0.625	0.252	0.251	0.281	0.25	0.6875	1.299	6.14	3.125	4.50	1.50
T140-1/B	T140-1/B	18.55	5.5	4.25	4.213	0.748	2	0.5	0.500	0.625	0.252	0.251	0.281	0.25	0.8125	1.575	7.6	3.625	6.00	1.25
T140-2/B	T140-2/B	22.79	5.5	4.02	3.976	1.125	2	0.6875	0.563	0.6875	0.252	0.251	0.281	0.25	0.8125	1.575	7.6	3.625	6.00	1.25
T140-3/B	T140-3/B	30.91	5.5	5.00	4.961	1.250	2.25	0.75	0.688	1.000	0.252	0.251	0.281	0.25	0.8125	1.575	7.6	3.625	6.00	1.25



Tolerances



Sectional properties



Monteferro Code	ISO Code	A in ²	q ₁ lb/ft	Y in	I _{xx} in ⁴	Z _x in ³	r _x in	I _{yy} in ⁴	Z _y in ³	r _y in
T127-2/B	T127-2/B	4.44	15.11	0.97	4.77	1.89	1.04	5.53	2.21	1.11
T140-1/B	T140-1/B	5.46	18.55	1.28	9.71	3.26	1.33	7.45	2.70	1.17
T140-2/B	T140-2/B	6.70	22.79	1.37	10.98	4.15	1.28	8.60	3.12	1.13
T140-3/B	T140-3/B	9.08	30.91	1.72	22.90	6.99	1.59	11.68	4.24	1.13